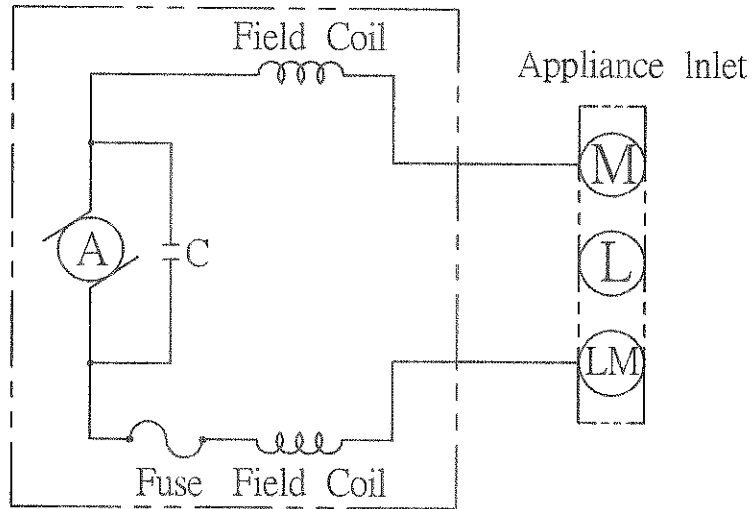


SPECIFICATION

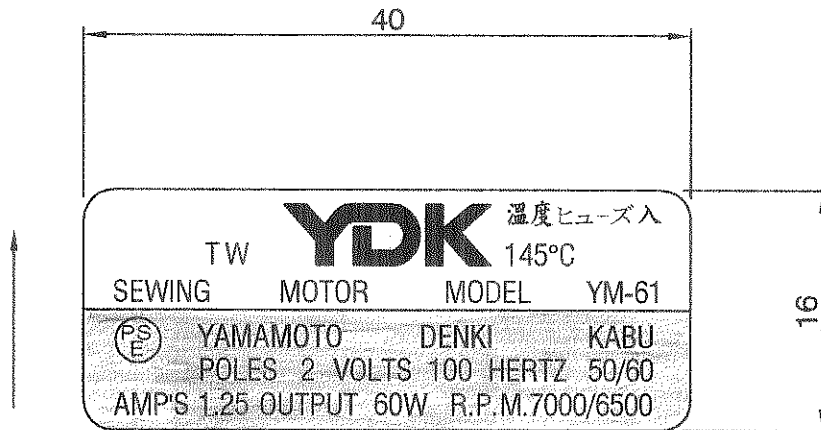
1.MODEL	YM-61
2.TYPE	COMMUTATOR MOTOR
3.DIMENSIONS	AS PER DRAWING
4.NAMEPLATE RATING	
1)VOLTAGE	100V AC
2)FREQUENCY	50/60Hz
3)CURRENT	1.25A
4)OUTPUT	60W
5)SPEED	7000/6500R.P.M.
5.MOTOR CHARACTERISTICS	
1)VOLTAGE	100V AC,50Hz
2)INPUT	120W
3)LOAD CURRENT	1.25A±10%
4)SPEED	7000±1000R.P.M.
5)OUTPUT	60W±10%
6)STARTING TORQUE	MORE THAN 19.6N · cm(2000g-cm)
6.DIELECTRIC STRENGTH	AC 1000V FOR 1 MIN.OR
(Under Normal Condition)	AC 1200V FOR 1 SEC.
2)CUTOFF CURRENT	10mA
7.INSULATION RESISTANCE	MORE THAN 50MΩ
(Under Normal Condition)	

CIRCUIT DIAGRAM

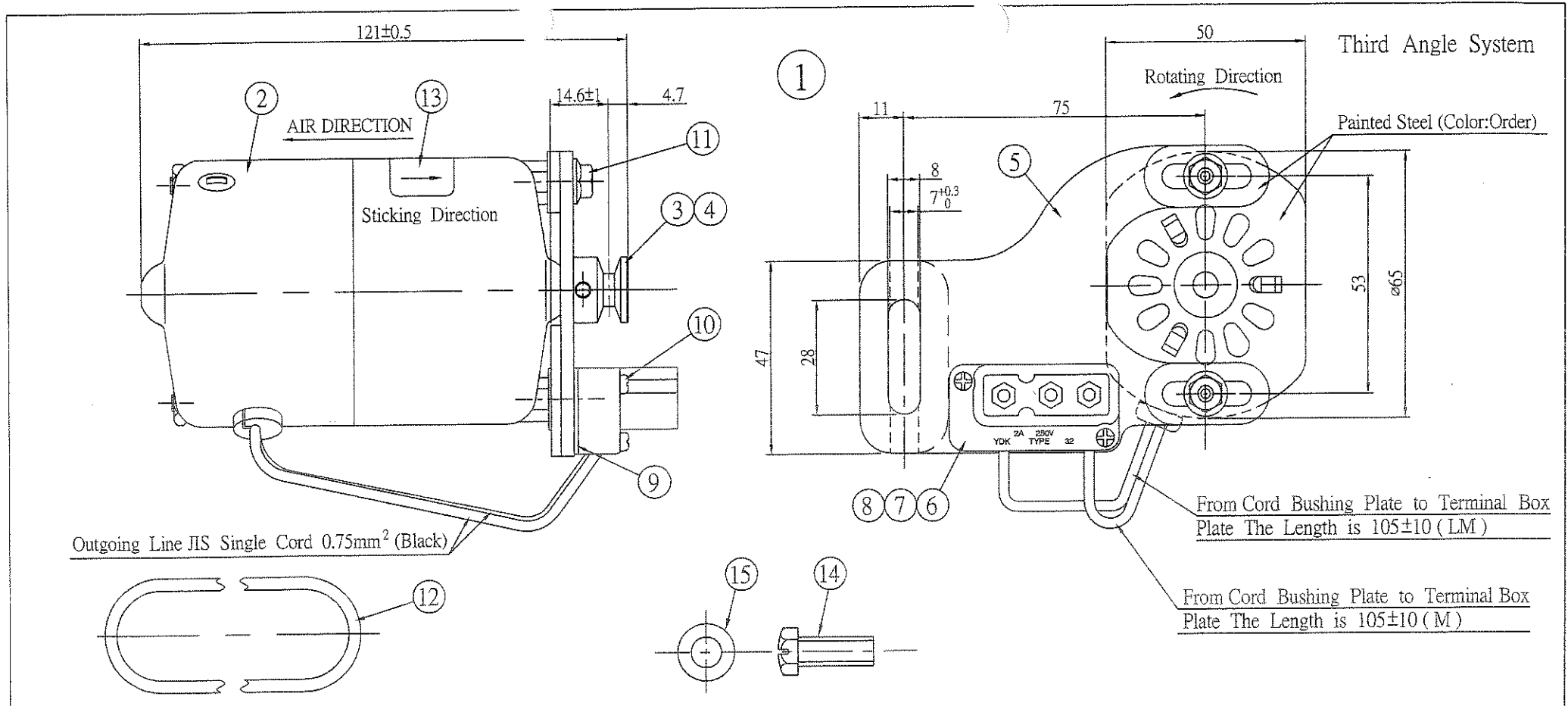


Fuse:2A 250V 145°C N143 (Matsushita)
C:0.047 μ F

MOTOR NAMEPLATE



REMARKS : SCALE IN 2/1



NO.	NAME	MATERIAL	qt	REMARKS
1	Assembly	-	0	-
2	Motor Assembly	-	1	-
3	Pulley	Rolled Steel for General Structure	1	-
4	Screw	Carbon Steel for Machine Structural Use	1	M4XP0.7XL6
5	Bracket	Cold Rolled Carbon Steel Sheets	1	t3.2
6	Appliance Plate	Polycarbonate	1	YDK TYLE 32
7	Pressure Terminal Connector	Brass Sheet and Plates	2	ø3.6
8	Screw	Free Cutting Brass Rod and Bars	3	M3XP0.5XL5
9	Insulating Plate	Vinyl	1	t1
10	Screw	Low Carbon Steel Wird Rods	2	M3XP0.5XL16
11	Nut	Carbon Steel Wire for Gold Heading and Cold Foring	2	M4XP0.7XL5
12	V Belt	-	1	Outside Round 350mm
13	Nameplate	-	1	-
14	Screw	Low Carbon Steel Wire Rods	1	9/32 InchXL19
15	Washer	Cold Rolled Carbon Steel Sheets	1	ø7.5Xø14Xt1.6

Third Angle System

From Cord Bushing Plate to Terminal Box Plate The Length is 105±10 (LM)

From Cord Bushing Plate to Terminal Box Plate The Length is 105±10 (M)

Remarks:
1.DIMENSIONS IN mm.
2.SCALE IN 1/1.

△			
△			
△			
Date	Remarks		Drawer
Approved	Checked	Profing of Model YM-61 Sewing Motor	
<i>Phawdets-11/12</i>	<i>Manyl-5-15-12</i>		
Checked	Drawer	Version:	
<i>L.B.5-14/12</i>	<i>C.I.05-14/12</i>		
TAIWAN YAMAMOTO ELECTRIC INDUSTRIAL CO.,LTD.			TC-S1373